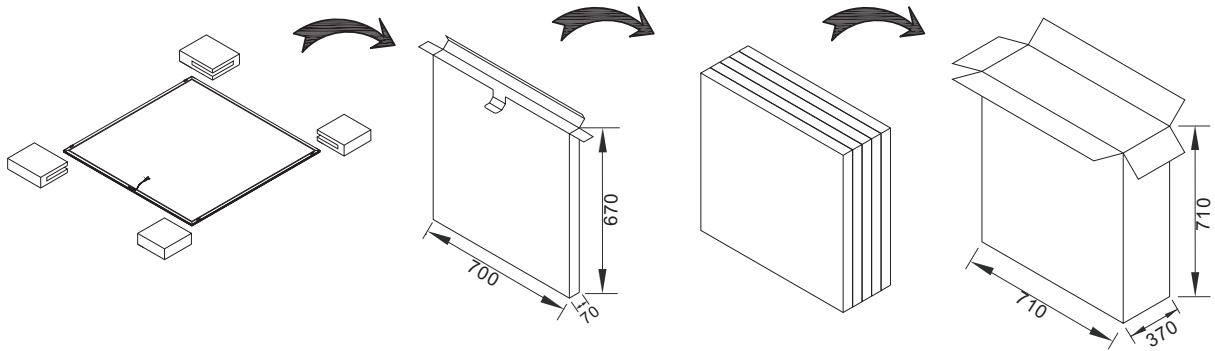


Packing Specification(mm)

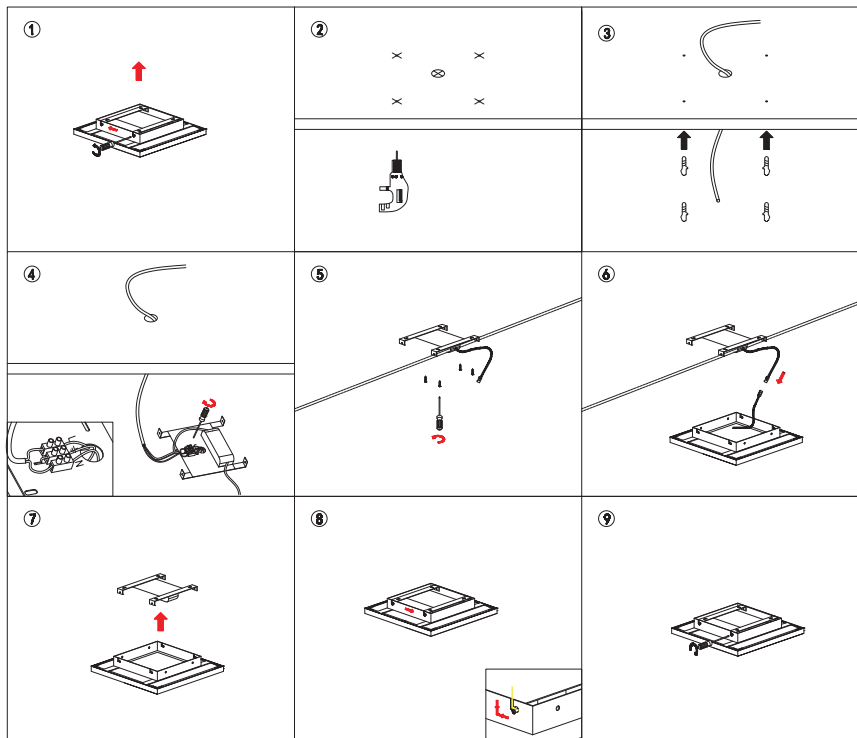


Inner box

Carton

	Inner box Size(mm)	Inner box N.W/pcs (Kg)	Inner box G.W/pcs (Kg)	Carton Size(mm)	Carton Q.ty(pcs)	Carton G.W(Kg)
Carton	670x700x70	5.2	5.9	710x710x370	5	29.5

Installation Instructions



!Notice

- 1.Please read the specification first, to make sure the environment matches the condition in the specification before using.
- 2.Please confirm the applicable power supply before using.
- 3.Make sure the switch of product is off before connect to the power supply to prevent electric shock.
- 4.Operation against rules may damage your property even harm your personal safety.
- 5.Preliminarily estimate required quantity of LED Panel Light , then according to the power rating of single light to figure out the total power and design power supply plan.
- 6.Dangerous high voltage, Non-professionals are not allowed to maintain the products.
- 7.If the exterior flexible cable or wire is damaged, it must exchange by the supplier, its agent or other similar qualified personnels to avoid dangers.